

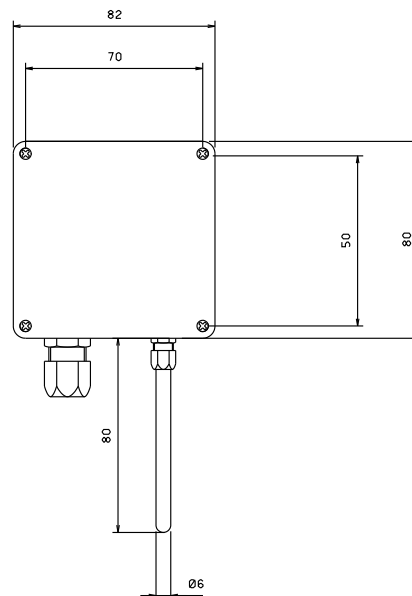


# Resistance thermometer TYPE PTVP

## For wall mounting



- For mounting on walls - for measurement of temperatures in rooms, e.g. in refrigerated holds, cargo and freeze compartments.
- Measuring insert Platinum according to EN 60751 Cl. 1, 1xPt.
- Protective sheath  $\text{Ø}6 \times 1$  mm stainless steel, length 80 mm.
- The connection box is a ABS plastic box, protection IP 67.
- Response time (mean values) measured at velocities in:  
air at 3.0 m/s:  $\tau_{0.5} = 35$  sec.
- Recommended measuring current: max. 2 mA.
- Temp. range:  $-40^{\circ}\text{C} / +80^{\circ}\text{C}$

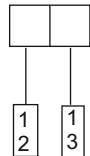


Ordering: See ordering form on back page



# ORDERING FORM / RESISTANCE THERMOMETER TYPE PTVP

## Type PTVP



V2.2

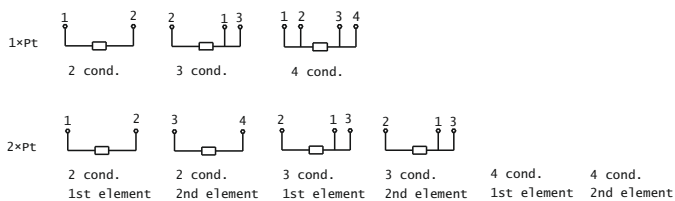
### Resistance in Ohm at 0°C

100 (4 wire) .....  
1000 (2 wire) .....

### Tolerance class/DIN

Cl. A:  $\pm 0.15^{\circ}\text{C}$  (only Pt1000)  
1/3 DIN:  $\pm 0.1^{\circ}\text{C}$  (only Pt100)

## Connection diagram:



## Head office:

Senmatic A/S  
Industrivej 8, 5471 Søndersø, Denmark  
Phone: +45 64 89 22 11  
dk@senmatic.com - www.senmatic.com