

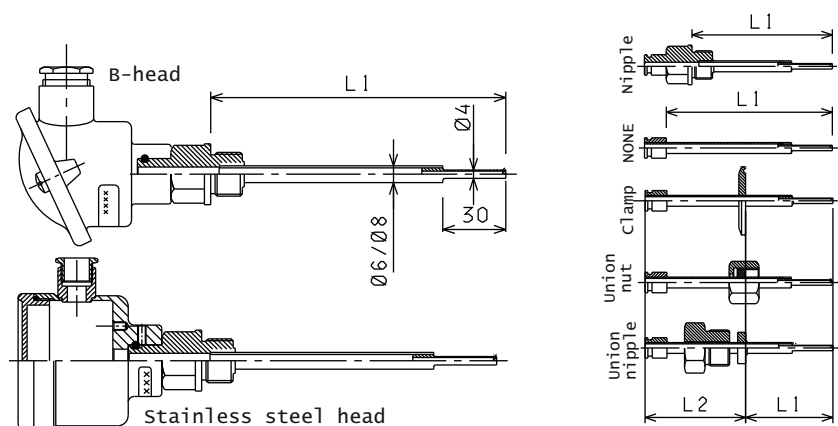


Resistance thermometer TYPE HR

Reduced imm. length, for fast response time
- for hygienic use



- Threaded thermometer for measurement of temperatures in e.g. the food industry, and where a fast response time is requested.
- Measuring insert according to EN 60751.
- Protective sheath, Form B, DIN 43763, of $\text{Ø}6 \times 1.5$ mm stainless steel, AISI 316L.
- Standard without extension length. Extension length: $\text{Ø}12$.
- Connection NONE, nipple, union nipple, union nut or clamp.
- Form B connection head according to DIN 43729, of light-alloy, protection IP 65, cable gland M20x1.5.
- Response time (mean values) measured at velocities in:
 - water w. 0.4 m/s: $\tau_{0.5} = 2$ sec
 - air w. 3.0 m/s: $\tau_{0.5} = 24$ sec.
- Recommended measuring current: max. 2 mA.
- Senmatic only guarantee, that the part in contiguity with food, comply with the demands of the Danish Veterinary and Food Administration.



Ordering: See ordering form on back page

