

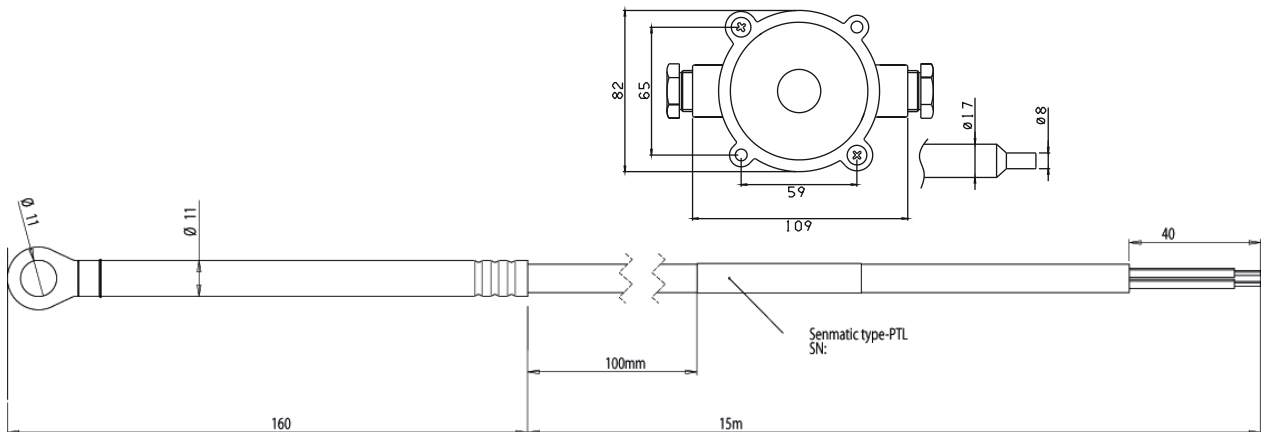


Resistance thermometer TYPE PTL

For use in bulks



- Thermometer for cargo compartments - for measurement of temperatures in cold and wet areas, such as cargo compartments, refrigerated cargo vessels, cold rooms, directly in basins and tanks.
- The measuring insert is according to IEC 751, standard Cl. B 1/6 DIN.
- The protective sheath is of AISI 316 steel with neoprene, compressed tight with the flexible connecting cable.
- The connecting cable is standard a 4 conductor neoprene cable, Ø8.6 mm.
- The standard is without a connection box. Is available with a grey-enamelled marine box of light-alloy, protection IP 67.
- Response time: (mean values) measured at velocities in:
water at 0.4 m/s: $t_{0.5} = 35 \text{ sec.}$ - $t_{0.9} = 76 \text{ sec.}$
- Recommended measuring current: max. 2 mA.
- Approvals: DNV-GL, Bureau Veritas, DNV-GL EU RO MR.



EU RO MUTUAL RECOGNITION TYPE APPROVAL CERTIFICATE - Group members are:



Ordering: See ordering form on back page

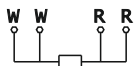


ORDERING FORM / RESISTANCE THERMOMETER TYPE PTL

Type PTL

Length/L1 220 mm	<input type="text" value="1"/>	Temperature range -40 / +60°C
Sheath dia./wallth./ mm 17	<input type="text" value="1"/>	Resistance in ohms at 0°C 100
Connection None	<input type="text" value="1"/>	Number of elements 1×Pt
Box	<input type="text" value="2"/>	Number of conductors 4 cond.
Length/cable/LK in mm 2500	<input type="text" value="1"/>	
4000	<input type="text" value="2"/>	
10000	<input type="text" value="3"/>	
15000	<input type="text" value="5"/>	

Connection diagram:



Head office:

Senmatic A/S
Industrivej 8, 5471 Søndersø, Denmark
Phone: +45 64 89 22 11
dk@senmatic.com - www.senmatic.com