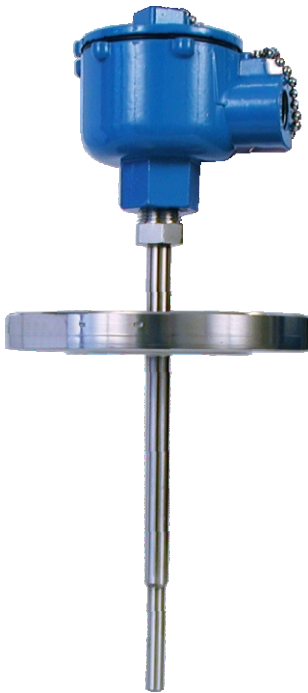




Resistance thermometer TYPE OPX

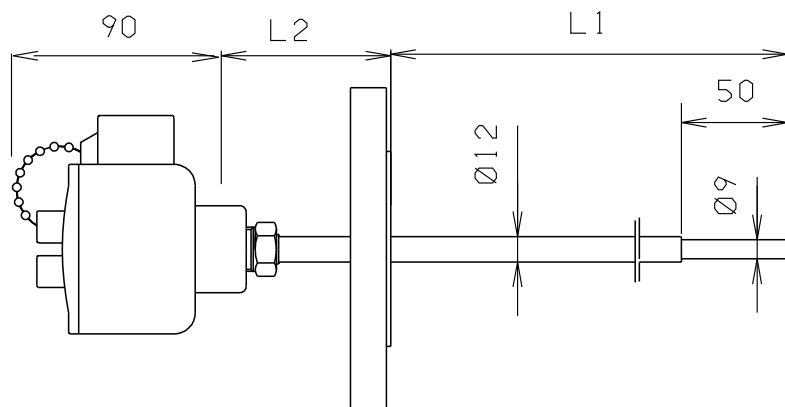
With Ex-head and reduced tip / fast response time



- Atex approved: ITS13ATEX17816X
II 1/2 G Ex d IIC T4 T_{amb} -40 to +95°C Ga/Gb
II 1/2 D Ex ta IIIC T135 T_{amb} -40°C-+95°C Da



- Flange mounted thermometer.
- For temperature measuring in refineries, chemical plants and other hazardous installations. Often mounted in thermowell.
- Exchangeable insert type MMI, Ø6 mm
- Optional: Transmitter mounting. Available: PR5331A, PR533A, PR5335A and PR5350A.
- Sensing element according to EN 60751.
- Extension length Ø12 stainless steel 316L
- Response time (mean values) at velocities in:
water at 0.4 m/s: $\tau_{0,5} = 29$ sec.
air at 3.0 m/s: $\tau_{0,5} = 120$ sec.



Ordering: See ordering form on back page

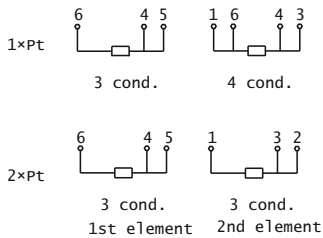


ORDERING FORM / RESISTANCE THERMOMETER TYPE OPX

Type OPX V3.6

<p>Immersion/L1/mm Min. 100 Max. 2000</p> <p>Sheath dia./wallth./mm Ø12/Ø9</p> <p>Extension length/L2/mm 80 mm</p> <p>Mounting Flange 2" ANSI (150 psi)</p> <p>Number of Conductors 3 cond. 4 cond. 3 cond. prepared for transmitter 4 cond. prepared for transmitter</p>		<p>Mounting Thread 1 ½"NPT 2 ½"BSP</p> <p>Temperature Range -196 / +500°C</p> <p>Tolerance Class/DIN 1 Cl. A : ±0.15°C 2 Cl. B : ±0.3°C 3 1/3 DIN : ±0.1°C 4 1/6 DIN : ±0.05°C</p> <p>Resistance in Ohms at 0°C 100 Others on request</p> <p>Number of Elements 1×Pt 2×Pt on special request</p>
------------------------------------------------------------------------------------------------------------------------------------------------------------------------------------------------------------------------------------------------------------------------------------------------------------------------------------------------------------------------------------------	--	---------------------------------------------------------------------------------------------------------------------------------------------------------------------------------------------------------------------------------------------------------------------------------------------------------------------------------------------------------------------------------------------------------

Connection diagram:



Head office:

Senmatic A/S
 Industrivej 8, 5471 Søndersø, Denmark
 Phone: +45 64 89 22 11
 dk@senmatic.com - www.senmatic.com